

Datasheet

# iCF 1SE3 series

- CF 6.0 standard compatible
- supporting PIO 4/UDMA 5 in True-IDE mode
- Write protection security
- Read disturb management
- Secure Erase
- iPowerGuard
- iDataGuard



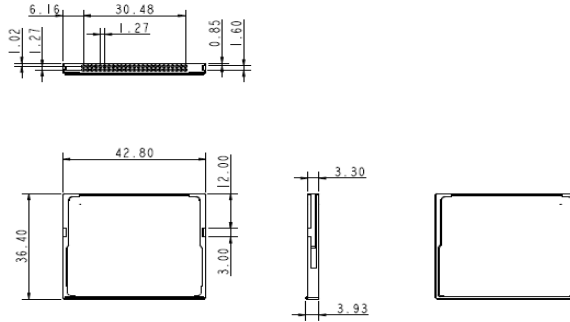
## Introduction

The Innodisk Industrial CompactFlash® 1SE3 Memory Card (iCF 1SE3) products provide high capacity solid-state flash memory that electrically complies with the True IDE Mode that is electrically compatible with an IDE disk drive. The original CF form factor card can be used in any system that has a CF slot.

Designed to replace traditional rotating disk drives, Innodisk Industrial CompactFlash® 1SE3 Memory Cards are embedded solid-state data storage systems for mobile computing and the industrial work place. The Industrial CompactFlash® features an extremely lightweight, reliable, low-profile form factor. Industrial CompactFlash® 1SE3 (iCF 1SE3) support advanced PIO (0-4), Ultra DMA (0-5) transfer mode, multi-sector transfers, and LBA addressing. Furthermore, the 1SE3 series support iPowerGuard with voltage power-down detection for full power-down robustness

# iCF 1SE3 series

## Drawing



Contact us for more information about the iCF 1SE3

Innodisk is a service-driven provider of industrial embedded flash and DRAM storage products and technologies, with a focus on the cloud computing, industrial/embedded, and aerospace and defense industries.

### Headquarters (Taiwan)

5F., No.237, Sec. 1, Datong Rd., Xizhi Dist., New Taipei City 221, Taiwan (R.O.C.)

Tel: +886-2-77033000  
Email: sales@innodisk.com

### Branch Offices:

USA  
[usasales@innodisk.com](mailto:usasales@innodisk.com)  
+1-510-770-9421  
Europe  
[eusales@innodisk.com](mailto:eusales@innodisk.com)  
+31-40-3045-400  
Japan  
[jpsales@innodisk.com](mailto:jpsales@innodisk.com)  
+81-3-6667-0161  
China  
[sales\\_cn@innodisk.com](mailto:sales_cn@innodisk.com)  
+86-755-21673689

[www.innodisk.com](http://www.innodisk.com)

© 2020 Innodisk Corporation.  
All right reserved. Specifications are subject to change without prior notice.

20200909

## Specifications

Interface	PATA
Flash Type	SLC
Capacity	128MB~64GB
Max. Channels	2
Sequential R/W (MB/sec, max.)	63/55
Max. Power Consumption	0.7W
Thermal Sensor	√
H/W Write Protect	Optional
ATA Security	√
S.M.A.R.T.	√
Dimension (WxLxH)	42.8X 36.4 X 3.3 mm
Environment	Vibration: 20G @7~2000Hz Shock: 1500G @ 0.5ms Storage Temperature: -55°C ~ +95°C MTBF: 3 million hours

## Ordering Information

Operation Temp.	1GB	2GB	4GB	8GB	16GB	32GB	64GB
Standard Grade (0°C ~ +70°C)	DECFC-01GYA2AC2DB	DECFC-02GYA2AC2DB	DECFC-04GYA2AC2DB	DECFC-08GYA2AC2DB	DECFC-16GYA2AC2DB	DECFC-32GYA2AC2DB	DECFC-64GYA2AC2DB
Industrial Grade (-40°C ~ +85°C)	DECFC-01GYA2AW2DB	DECFC-02GYA2AW2DB	DECFC-04GYA2AW2DB	DECFC-08GYA2AW2DB	DECFC-16GYA2AW2DB	DECFC-32GYA2AW2DB	DECFC-64GYA2AW2DB

Operation Temp.	128MB	256MB	512MB
Standard Grade (0°C ~ +70°C)	DECFC-128YA1AC2SB	DECFC-256YA1AC2SB	DECFC-512YA1AC2SB
Industrial Grade (-40°C ~ +85°C)	DECFC-128YA2AW2SB	DECFC-256YA2AW2SB	DECFC-512YA2AW2SB

**innodisk**

[www.innodisk.com](http://www.innodisk.com)