



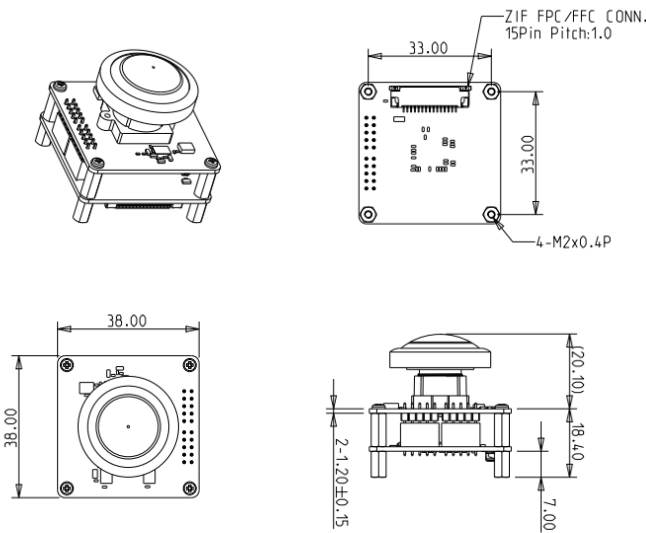
Features

- Max. Resolution: 1920 x 1080 @ 30fps
- ISP inside, fisheye De-warping
- Platform Support: Nvidia Jetson Nano
- Complies with CE/FCC Class A

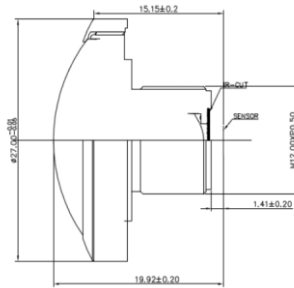
Resolution	FPS (MIPI 2 lanes)
1920 x 1080 (FHD)	30

Mechanical Drawing

Mechanical Drawing



Lens Specification



Items	Specification
F no.	2.1
Focal length	1.1mm
Lens structure	4G2P
Mount	M12*P0.5

Headquarters (Taiwan)

5F., No. 237, Sec. 1, Datong Rd.,
Xizhi Dist., New Taipei City 221,
Taiwan
Tel: +886-2-7703-3000
Email: sales@innodisk.com

Branch Offices:

USA
usasales@innodisk.com
+1-510-770-9421

Europe
eusales@innodisk.com
+31-40-3045-400

Japan
jpsales@innodisk.com
+81-3-6667-0161

China
sales_cn@innodisk.com
+86-755-2167-3689

www.innodisk.com

© 2019 Innodisk Corporation.
All right reserved. Specifications
are subject to change without
prior notice.

January 30, 2023

Specifications

Max. Resolution	1920 x 1080 (2MP)@ 30fps
Output I/F	MIPI 15pins (2 lanes)
Power Consumption	Approximate 1.6W
Dimension (WxLxH)	38 x 38 x 45mm
Operating Temp.	-30°C ~ +70°C (main chip spec.)
CMOS Sensor	Onsemi AR0330
Sensor Size	1/3"
Pixel Size	2.2um
Lens Type	Fixed focus (M12)
Lens FOV	230°
Platform Support	Nvidia Jetson Nano

Order information

EV2U-GOM1-MUCA-C1

MIPI Fixed Focus Camera Module

Several fisheye De-warping mode to fulfill different applications.

<p>Mode A</p>		
<p>Mode B</p>		
<p>Mode C</p>		

Headquarters (Taiwan)

5F., No. 237, Sec. 1, Datong Rd.,
Xizhi Dist., New Taipei City 221,
Taiwan
Tel: +886-2-7703-3000
Email: sales@innodisk.com

Branch Offices:

USA
usasales@innodisk.com
+1-510-770-9421

Europe
esusales@innodisk.com
+31-40-3045-400

Japan
jpsales@innodisk.com
+81-3-6667-0161

China
sales_cn@innodisk.com
+86-755-2167-3689



De-warping



www.innodisk.com

© 2019 Innodisk Corporation.
All right reserved. Specifications
are subject to change without
prior notice.

January 30, 2023

Order information
EV2U-GOM1-MUCA-C1
MIPI Fixed Focus Camera Module