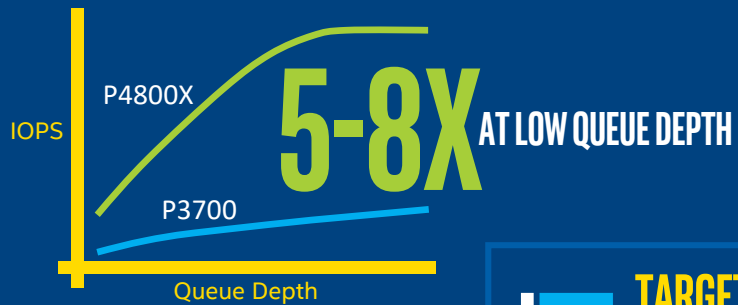


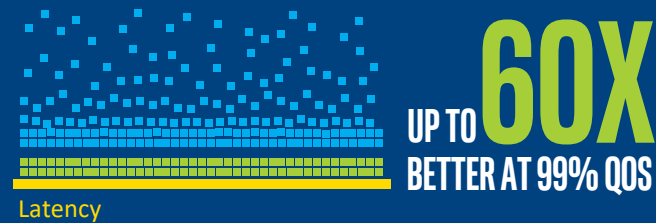
# MOST RESPONSIVE DATA CENTER SSD IN THE WORLD. P4800X.



## Breakthrough Performance



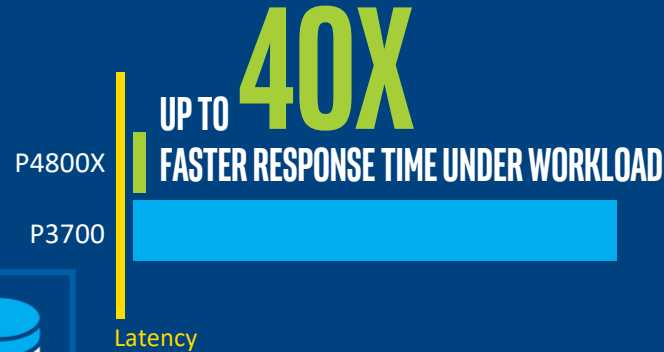
## Predictably Fast Service



It's revolutionary - first all-new class of memory in 25 years. Visit [intel.com/optane](http://intel.com/optane) to discover more.

Software and workloads used in performance tests may have been optimized for performance only on Intel® microprocessors. Performance tests are measured using specific computer systems, components, software, operations, and functions. Any change to any of those factors may cause the results to vary. Copyright © 2017 Intel Corporation. All rights reserved. Intel and the Intel logo are trademarks of Intel Corporation in the U.S. and/or other countries. \*Other names and brands may be claimed as the property of others.

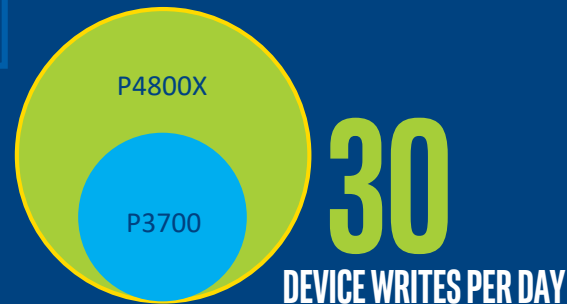
## Response Under Load



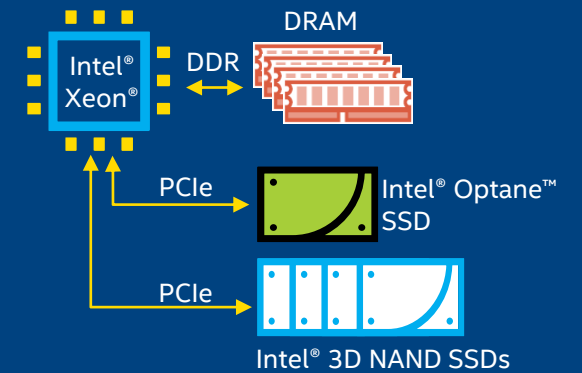
### TARGET APPLICATIONS

- In Memory Database
- Cache Hot Data
- AI Deep Learning
- Software Defined Storage
- Virtualization

## Ultra Endurance



## FAST STORAGE AND CACHE



## MEMORY EXTENSION

